

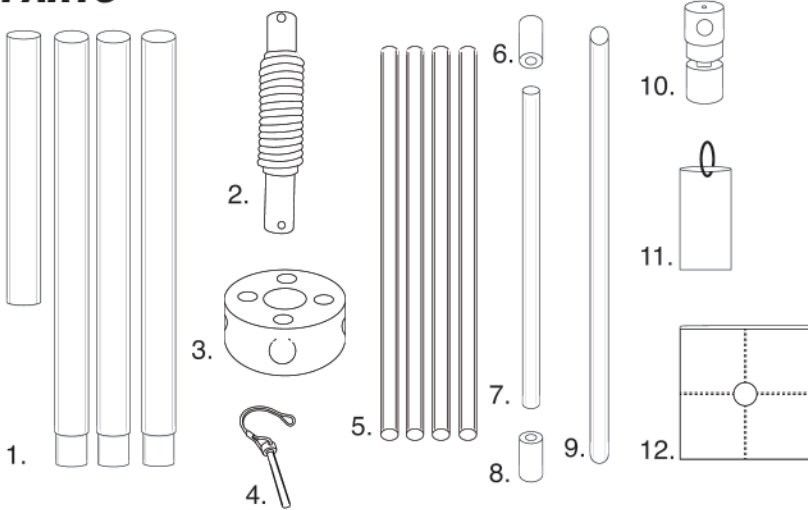
ADVER-FLAG



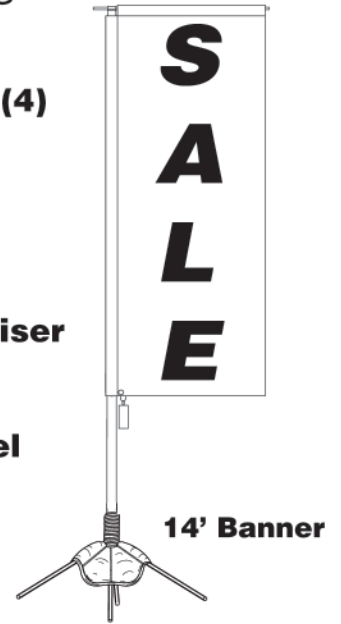
MADE IN CANADA

14' BANNER SERIES **SPRING STAND** ASSEMBLY INSTRUCTIONS

PARTS



1. Aluminum Pole (4)
2. Spring
3. Spring Base
4. Pin (2)
5. Stand Legs (4)
6. Top Bushing
7. Stand to Pole Riser
8. Collar
9. Top Arm
10. Top Arm Swivel
11. Flag Weight
12. Sand Bag



ASSEMBLY

<p>1. Stand on base and insert all 4 legs.</p>	<p>2. Once legs are assembled, put spring into base and secure with pin under base.</p>		
<p>3. Fill sand bag with approx. 30 lbs of Sand Or Pea Gravel, and place over spring and stand.</p>	<p>4. Assemble the four pole sections with non-tapered short section being at the top of the pole.</p>	<p>6. Pull flag over pole from bottom of pole towards top.</p>	
<p>7. Insert top arm through swivel and through sleeve on top of flag. Tighten thumb screw to secure top arm into swivel.</p>	<p>8. Once assembled, place Stand to Pole Riser into spring stand and slide Collar to bottom. Next, place Top Bushing on top of Pole Riser.</p>	<p>8. Once Collar & Bushing are in place, carefully slide pole over Pole Riser and secure with pin.</p>	<p>9. Once flag is in place, fill plastic bag with sand or water, place in fabric bag and attach to grommet on flag.</p>

⚠ GUIDES AND PRECAUTIONS ⚠

- Do not use near overhead wires, if not used correctly it may result in injury or death.

- Must have rotational movement. Keep at least 15ft away from any objects to increase life expectancy of flags. IE Fences, Trees, Buildings Etc.